

Can I use the boat hull wash (BIGWASH 16)?

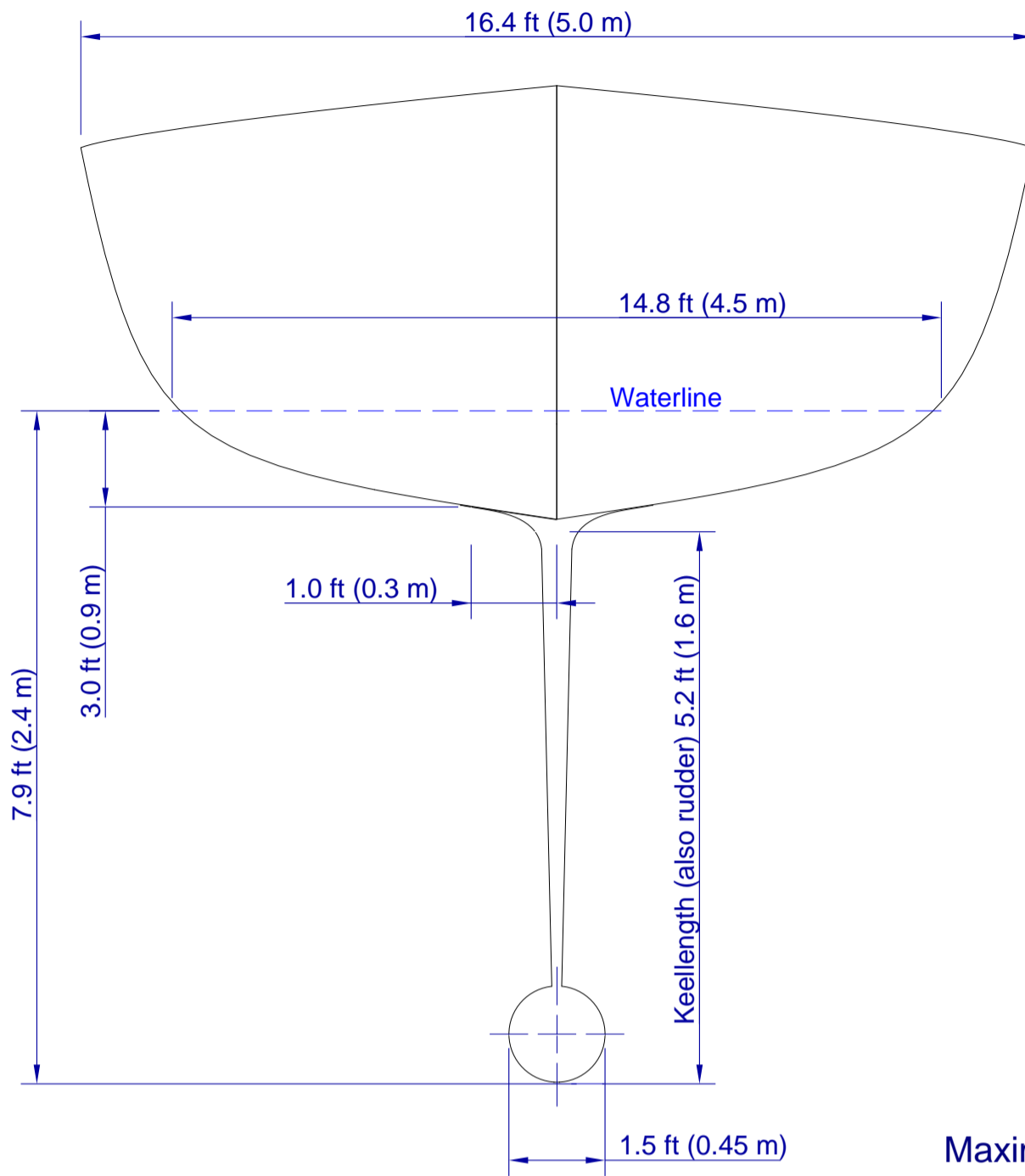
- The length and width of the boat greater than 16x5 meters?
- The boat's width greater than 4 meters in waterline?
- Boat depth greater than 0.9 meters for motorboat and 2.40 meters for sailboat?
- Two or more propeller shafts or drives under the hull?
NOTE! Does not apply to drives and propellers behind transom.
- Other objects under the hull that protrude more than 15 cm and which are not at the center line (as logs and echo sounding)?
- The hull bottom painted the same season?

Do you have a motor boat and if all the answers are NO. The boat approved for wash.

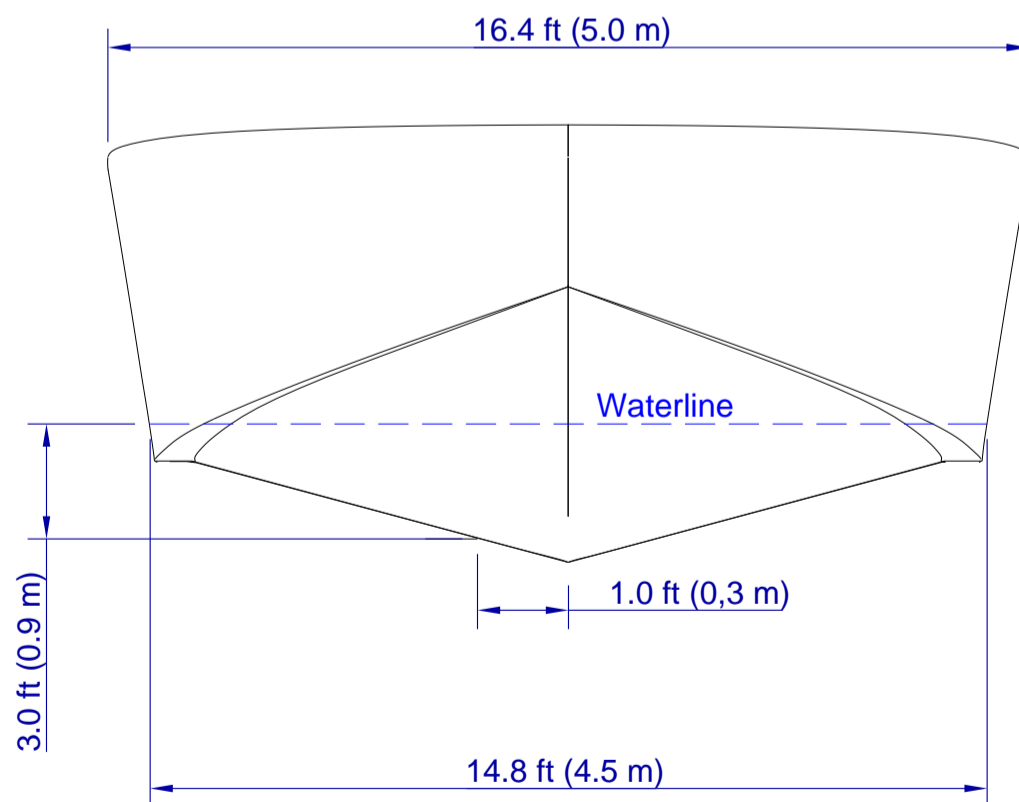
Do you have a sailboat, also answer the following questions:

- Boat that is long keel?
- Does the boat go deeper than 2.40 meters?
- Goes the keel fin, ink any bulb, deeper than 1.60 meters as seen from the boat's otherwise lowest point?
That is, the keel fins must not be longer than 1.60 meters in depth.
- Are the boats keel / keel fin provided with any of the following formations:
 - Bulb wider than 45 cm?
 - winged keel?
 - other than 45 cm wide?
 - Something that is almost completely flat / front and more than 30 cm wide?
 - More than one keel / fen keel and outside the boat's center line (like a Catamaran)?

If all the answers are NO. The boat approved for wash.



Maximum boat length:
 Bigwash 12 39 ft (12 m)
 Bigwash 14 46 ft (14 m)
 Bigwash 16 53 ft (16 m)



TYPES OF HULLS THAT CAN BE WASHED!

Motor and sailboats with a centered drive under the keel.

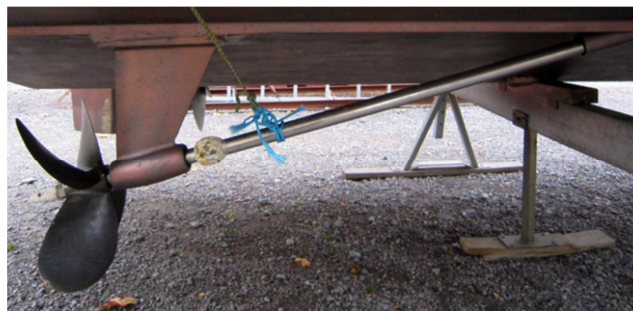


Sailboats with straight or shapes not wider than 45 cm.



NON-WASHABLE HULL TYPES!

Motor and sailboats with several propeller shafts under the hull.



Sailboats with wing keel, bulb formations wider than 45 cm, or with keel outside the hull's centerline.

